

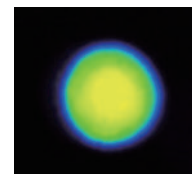
High-performance Nd:YAG Q-Switched Laser

The Nimma series laser is a compact, high-performance lamp-pumped Nd:YAG nanosecond laser, with pulse energy ranging from 400mJ to 2000mJ@1064nm. This series features a small footprint, excellent pointing stability, high energy stability, and exceptional reliability.

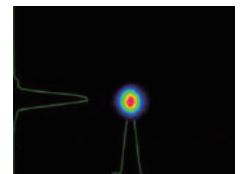
Designed for both scientific and industrial applications, the Nimma series ensures superior beam quality and long-term reliability. It is widely used in applications such as pumping OPO, pumping Ti:Sapphire laser, and pulsed laser deposition.

Features

- Excellent beam quality
- Attenuator optional
- Single longitudinal mode seeding optional
- LD indicator light optional



Near field@1064nm



Far field@1064nm

Applications

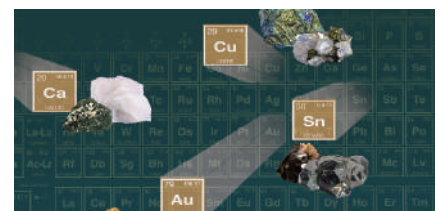
- LIBS
- LIDAR
- Laser Induced Florescence(LIF)
- Pumping Dye Laser and Femtosecond Laser
- Laser Cleaning
- Laser Pulse Deposition
- Nonlinear Optics
- Laser Flash Optical Solution



LIDAR



Pumping Dye Laser



LIBS

All images from customers and website

Specifications

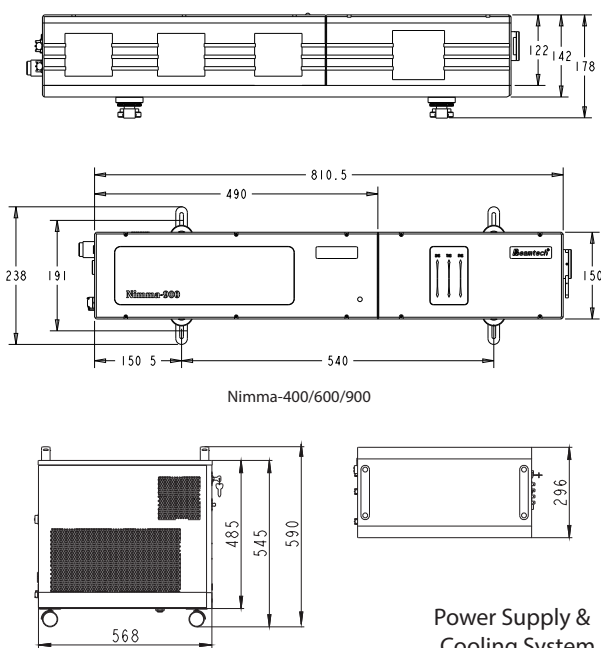
Models ¹		Nimma-400	Nimma-600	Nimma-900	Nimma-2000
Repetition Rate		1-10Hz	1-10Hz	1-10Hz	1-10Hz
Pulse Energy	1064nm	450mJ	650mJ	900mJ	2000mJ
	532nm	250mJ	350mJ	480mJ	1000mJ
	355nm	90mJ	150mJ	270mJ	600mJ
	266nm	50mJ	65mJ	90mJ	150mJ
Energy Stability ² (RMS)	1064nm	≤0.7%	≤0.7%	≤0.7%	≤1%
	532nm	≤1.5%	≤1.5%	≤1.5%	≤2%
	355nm	≤3%	≤3%	≤3%	≤4%
	266nm	≤3%	≤3%	≤3%	≤4%
Pulse Width ³	1064nm	≤9ns	≤9ns	≤9ns	~9ns
	532nm	≤8ns	≤8ns	≤8ns	≤8ns
	355nm	≤7ns	≤7ns	≤7ns	≤7ns
	266nm	≤7ns	≤7ns	≤7ns	≤7ns
Divergence ⁴	1064nm	≤0.6mrad	≤0.6mrad	≤0.6mrad	≤0.5mrad
Pointing Stability		≤30μrad	≤30μrad	≤30μrad	≤50μrad
Jitter ⁵ (RMS)				≤0.5ns	
Beam Diameter ⁶	1064nm	8mm	8mm	9mm	11mm
Spatial Mode Profile	Near Field			>70%	
	Far Field			>95%	
Polarization	Horizontal		1064nm, 355nm, 266nm		
	Vertical			532nm	
Cooling		Air to water	Air to water	Air to water	Chiller
Electrical Service		220V-50/60Hz-10A	220V-50/60Hz-10A	220V-50/60Hz-10A	220V-50/60Hz-16A
Power Consumption		2000W	2000W	2000W	3000W
Cable Length	Control Line			3m	
	Power Line			1.8m	
	Umbilical Line			3m	

1. All specifications, unless otherwise stated, are for Q-Switched 1064nm operation and are subject to change without notice.

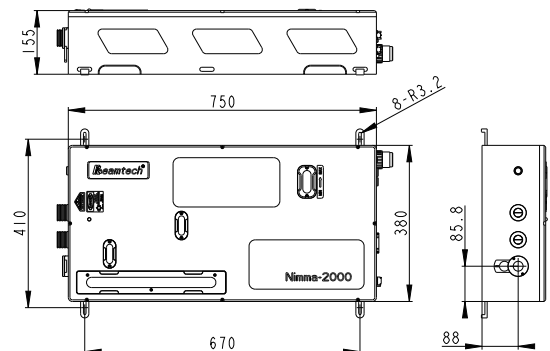
2. Dev. to average (shot to shot for 99% of pulses).
3. Full width half max (FWHM).
4. Full angle at $1/e^2$ of the peak.

5. With respect to external trigger.
6. Measured at the laser output.

Dimensions



Power Supply & Cooling System



Power Supply & Cooling System